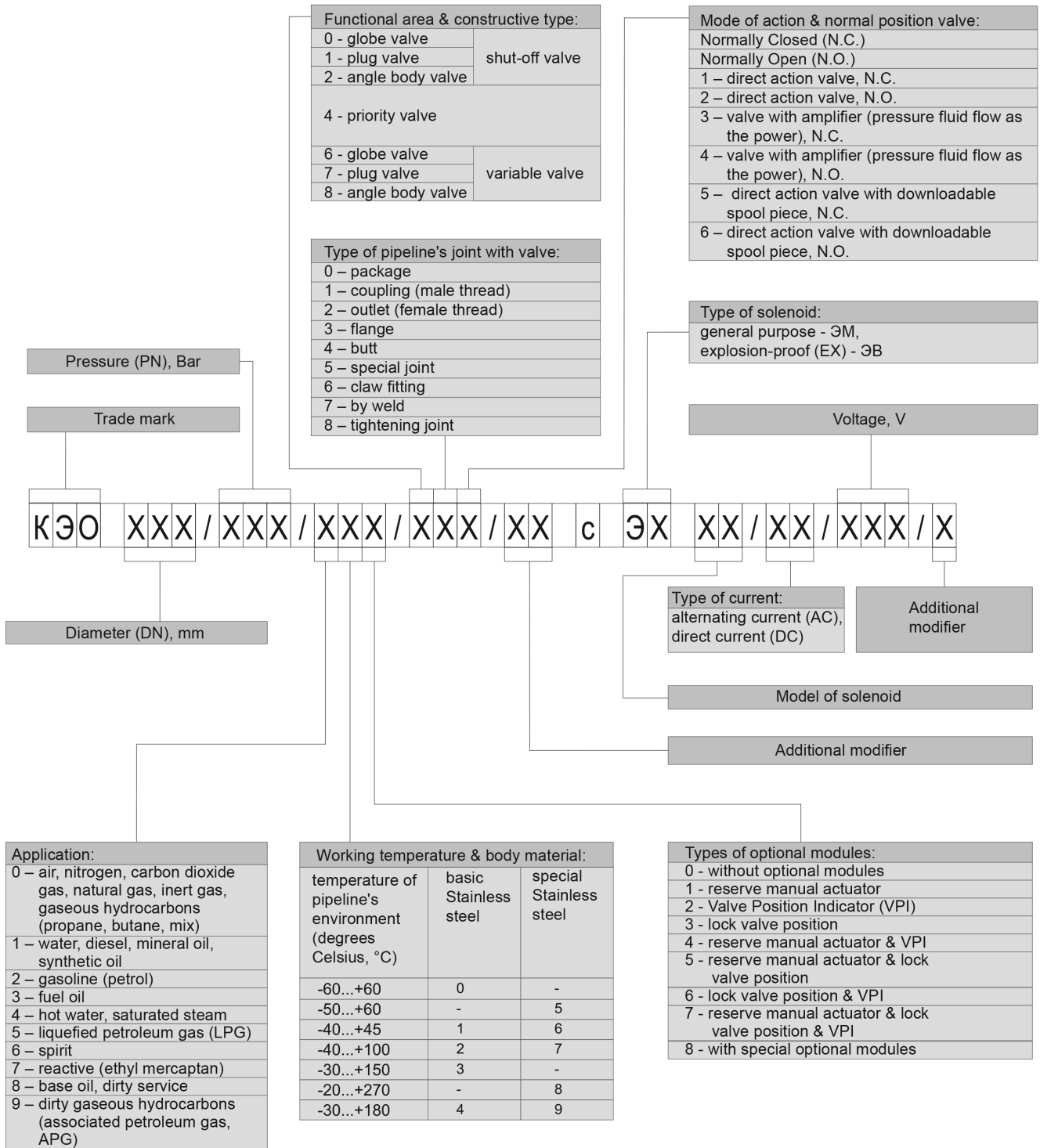
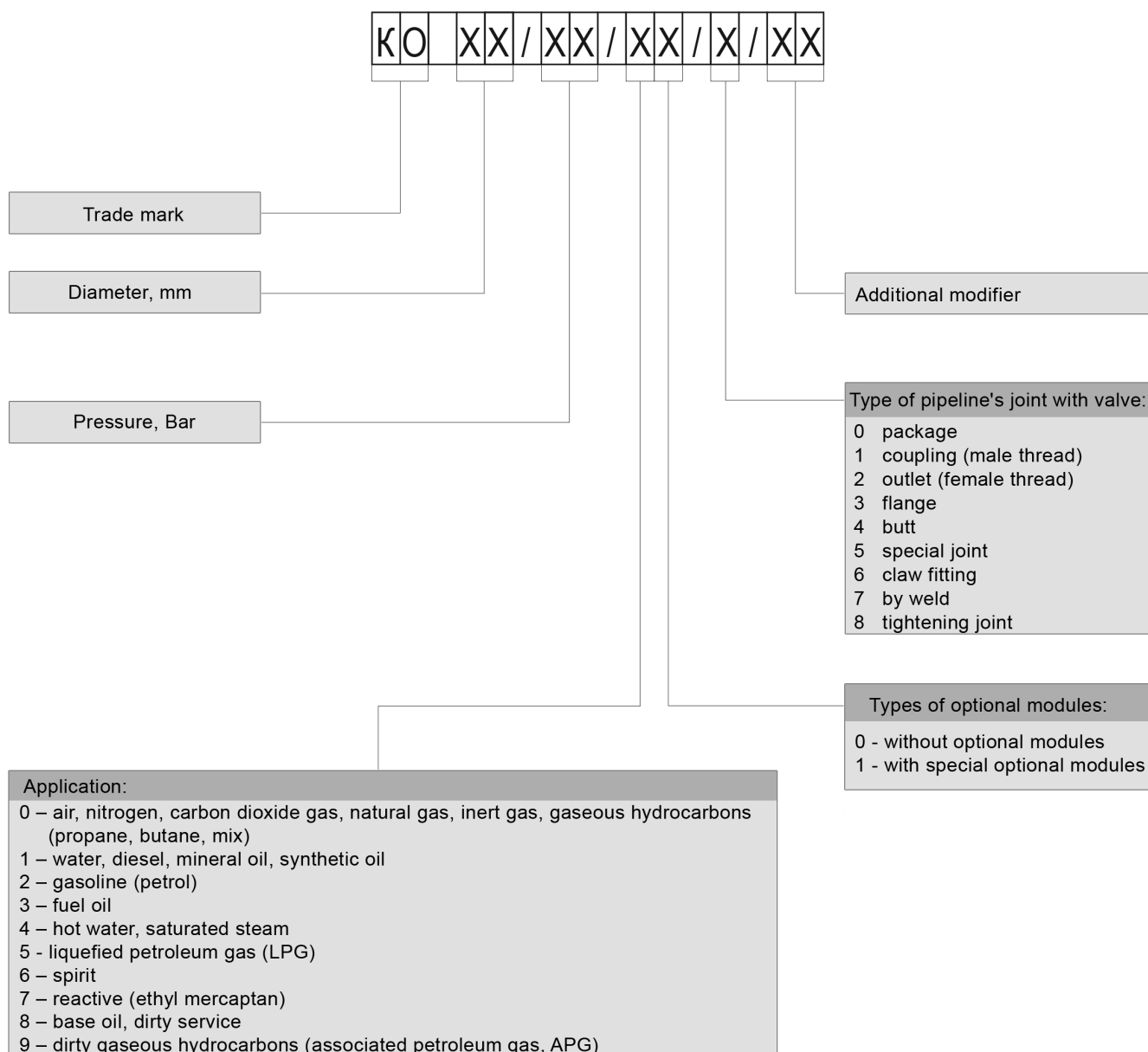


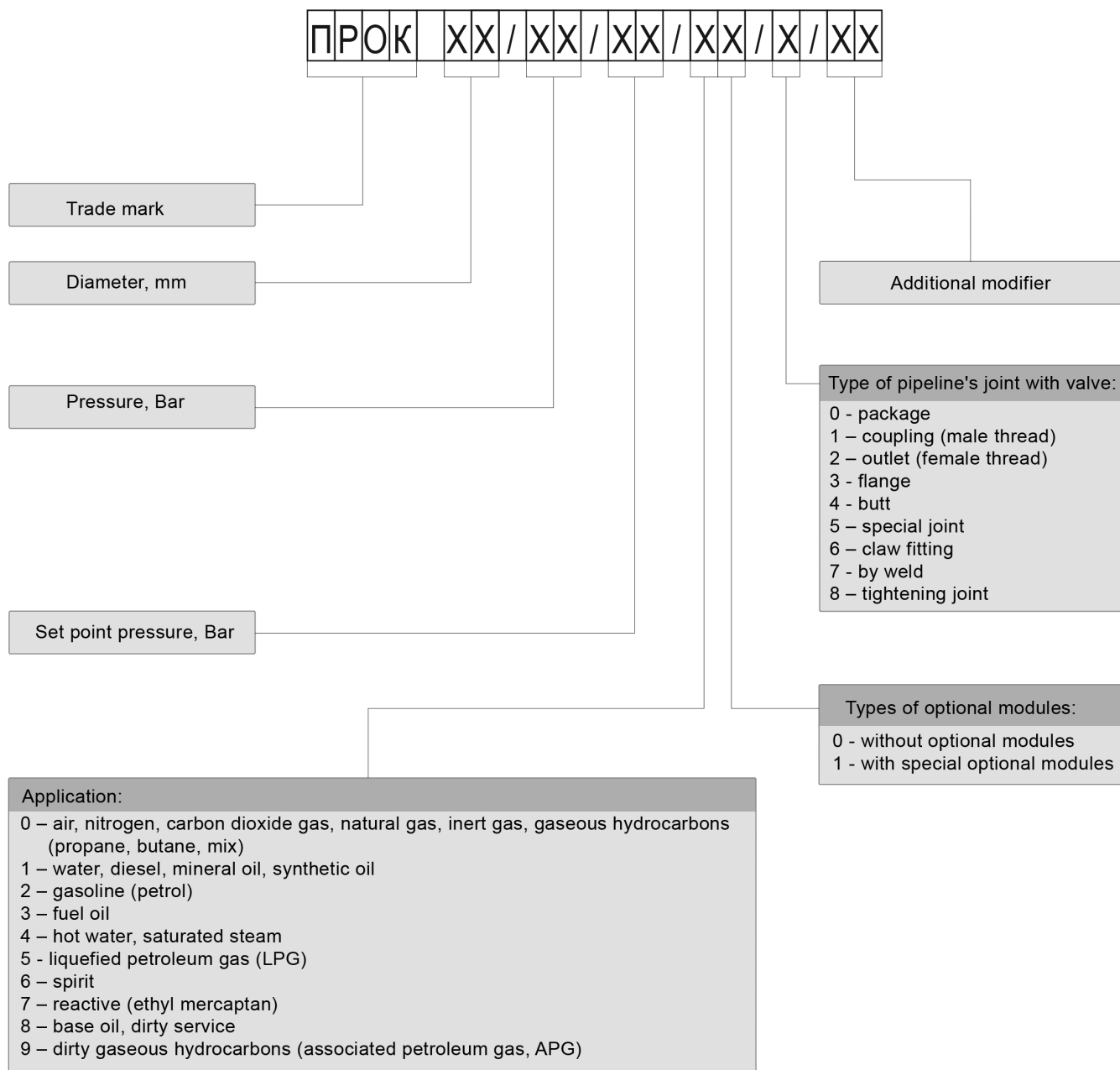
Marking of solenoid valves with trademark KЭO



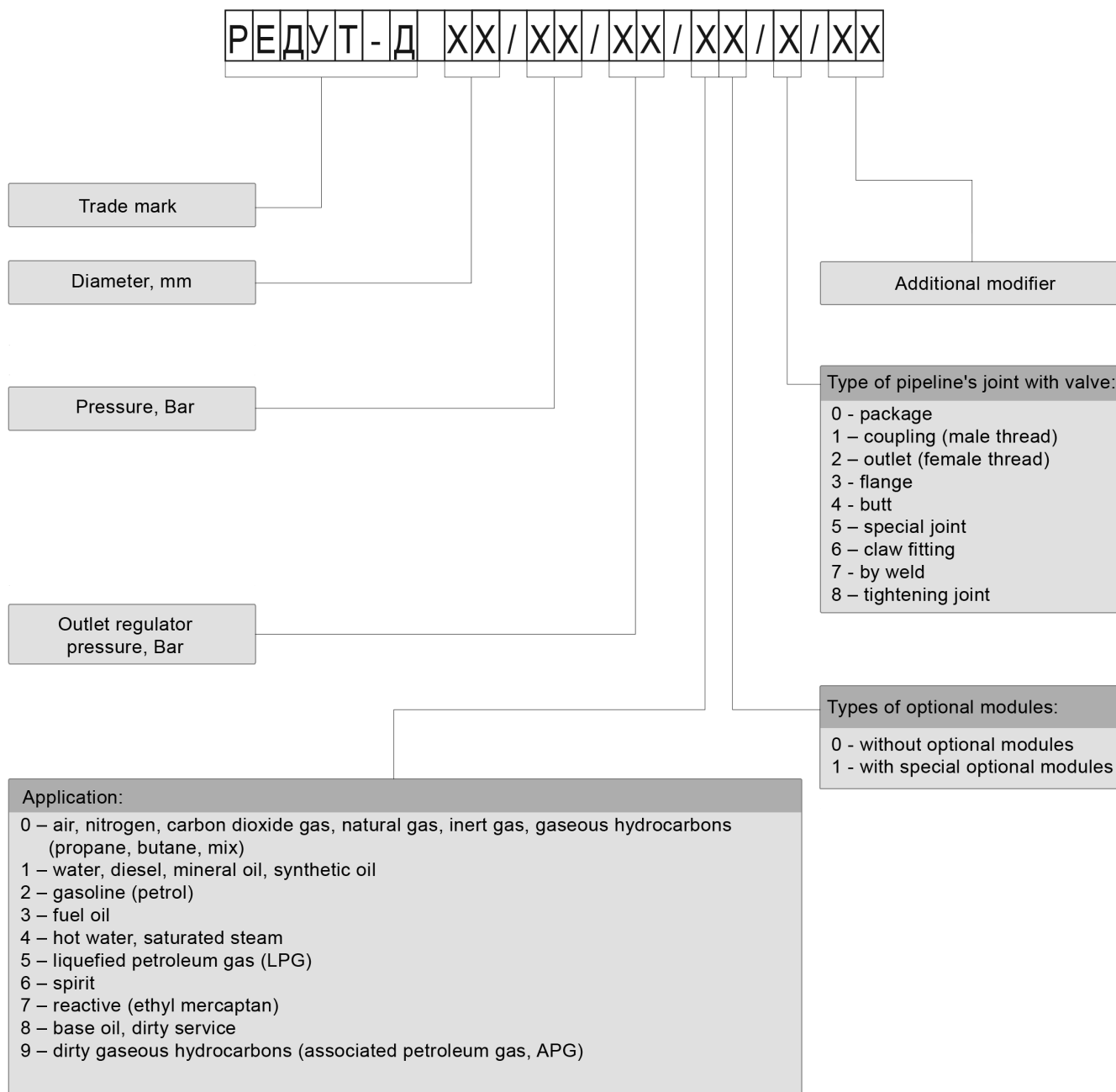
Marking of back pressure valves KO



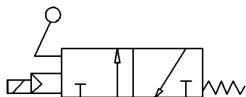
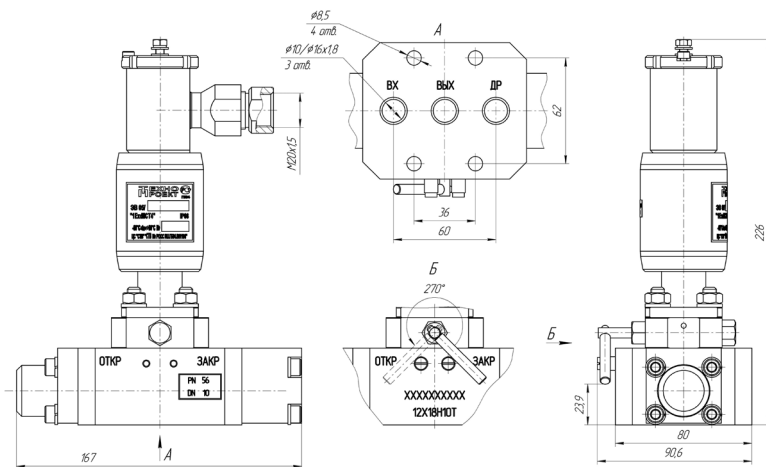
Marking of safety valves ПРОК



Marking of pressure & flow regulators РЕДУТ



KЭO 10/56/071/443 с ЭВ 05/DC/024/4



SPECIFICATION:

Mode of action	valve with amplifier
Diameter (DN), mm	10
Operating pressure range, Bar	3 ... 56
Pressure difference for valve performance, Bar	3 ... 56
Type of pipeline's joint with valve	butt
Normal position valve	Normally Closed
Ambient temperature, °C	-40 ... +60
Fluid temperature, °C	-40 ... +70
Coil voltage, V	24+-10% DC
Capacity, W	15
Duty rating, %	100
Size, mm	167 x 90 x 226
Mass, kg	5,5

OPTIONAL MODULES:

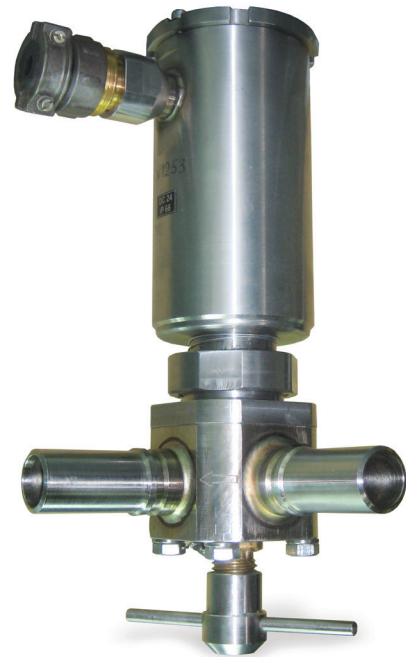
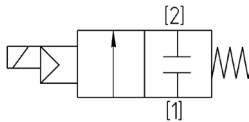
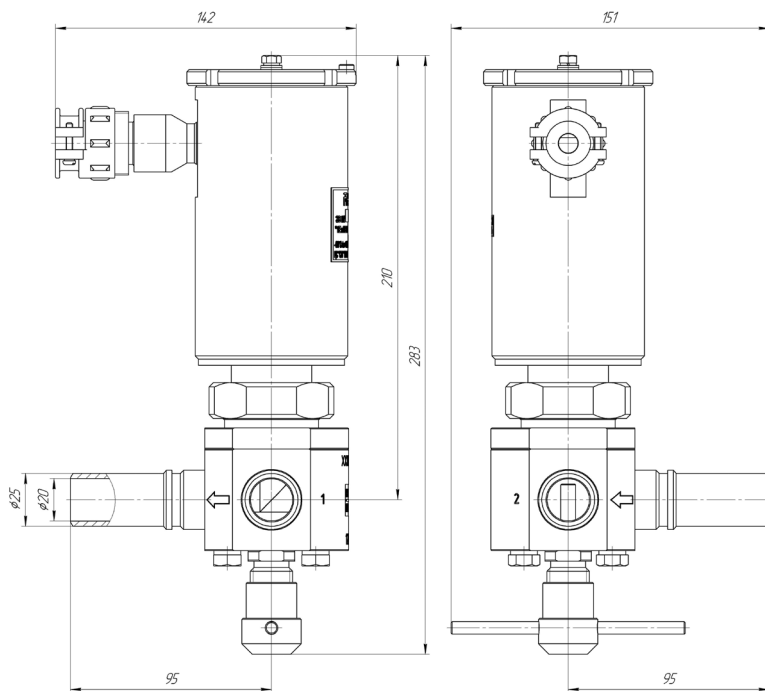
reserve manual actuator

APPLICATION:

air

natural gas

KЭO 20/35/074/275 с ЭВ 07/DC/024/3



SPECIFICATION:

Mode of action	direct action valve with downloadable spool piece
Diameter (DN), mm	20
Operating pressure range, Bar	0 ... 35
Pressure difference for valve performance, Bar	0 ... 35
Type of pipeline's joint with valve	by weld
Normal position valve	Normally Closed
Ambient temperature, °C	+5 ... +40
Fluid temperature, °C	-30 ... +60
Coil voltage, V	24+-10% DC
Capacity, W:	
- power boost mode	150
- hold mode	12
Duty rating, %	100
Size, mm	283 x 142 x 151
Mass, kg	8,0

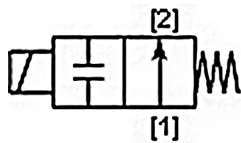
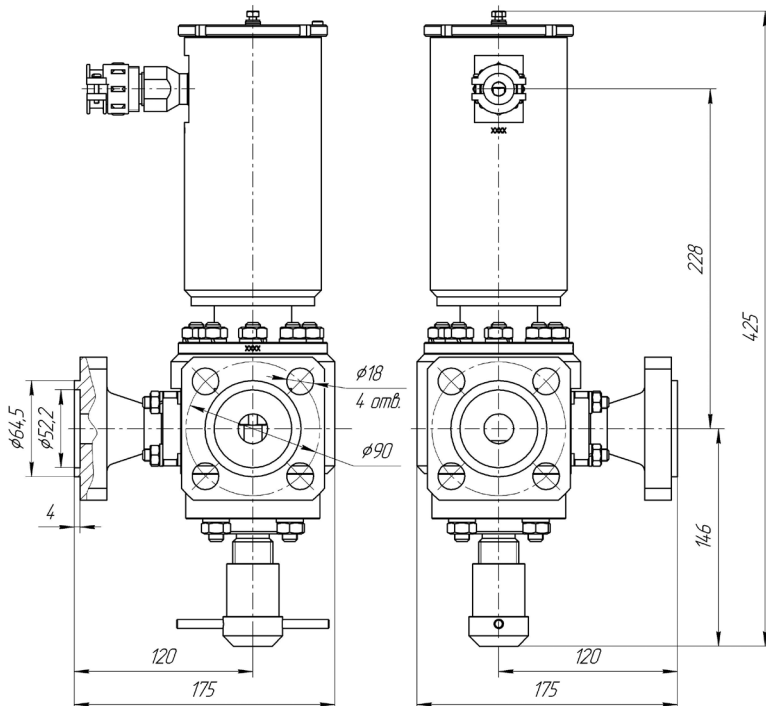
OPTIONAL MODULES:

reserve manual actuator
Valve Position Indicator (VPI)

APPLICATION:

air, nitrogen, carbon dioxide gas, natural gas, inert gas, gaseous hydrocarbons (propane, butane, mix)

KЭO 20/75/074/236 с ЭВ 06/DC/024/2



SPECIFICATION:

Mode of action	direct action valve with downloadable spool piece
Diameter (DN), mm	20
Operating pressure range, Bar	0 ... 75
Pressure difference for valve performance, Bar	0 ... 75
Type of pipeline's joint with valve	flange
Normal position valve	Normally Open
Ambient temperature, °C	-60 ... +70
Fluid temperature, °C	-40 ... +100
Coil voltage, V	24+-10% DC
Capacity, W:	
- power boost mode	150
- hold mode	20
Duty rating, %	100
Size, mm	420 x 175 x 175
Mass, kg	20,0

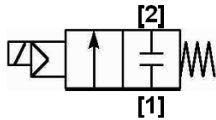
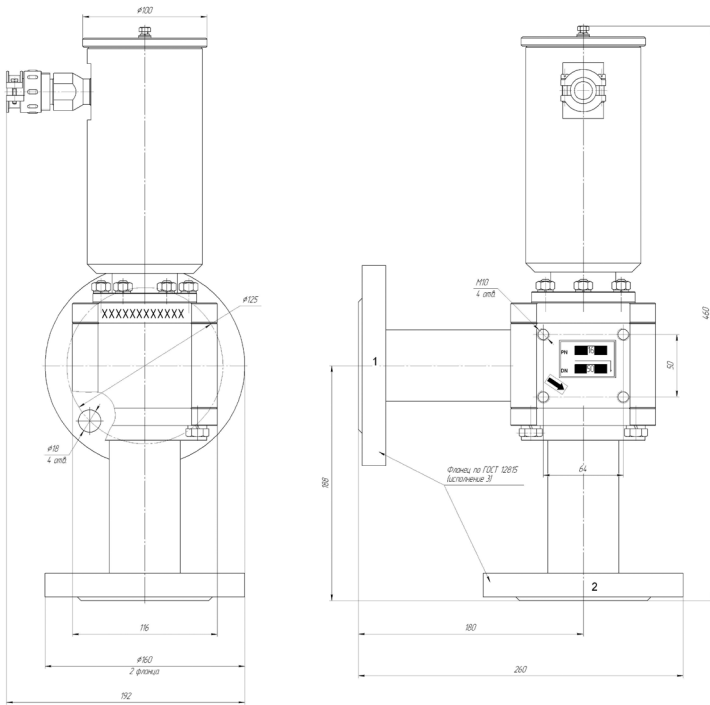
OPTIONAL MODULES:

reserve manual actuator
Valve Position Indicator (VPI)

APPLICATION:

air, nitrogen, carbon dioxide gas, natural gas, inert gas, gaseous hydrocarbons (propane, butane, mix)

КЭО 50/16/092/235 с ЭВ 06/DC/024/3



SPECIFICATION:

Mode of action	direct action valve with downloadable spool piece
Diameter (DN), mm	50
Operating pressure range, Bar	0 ... 16
Pressure difference for valve performance, Bar	0 ... 16
Type of pipeline's joint with valve	flange
Normal position valve	Normally Closed
Ambient temperature, °C	-40 ... +70
Fluid temperature, °C	-30 ... +180
Coil voltage, V	24+-10% DC
Capacity, W:	
- power boost mode	120
- hold mode	30
Duty rating, %	100
Size, mm	460 x 188 x 260
Mass, kg	20,0

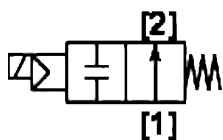
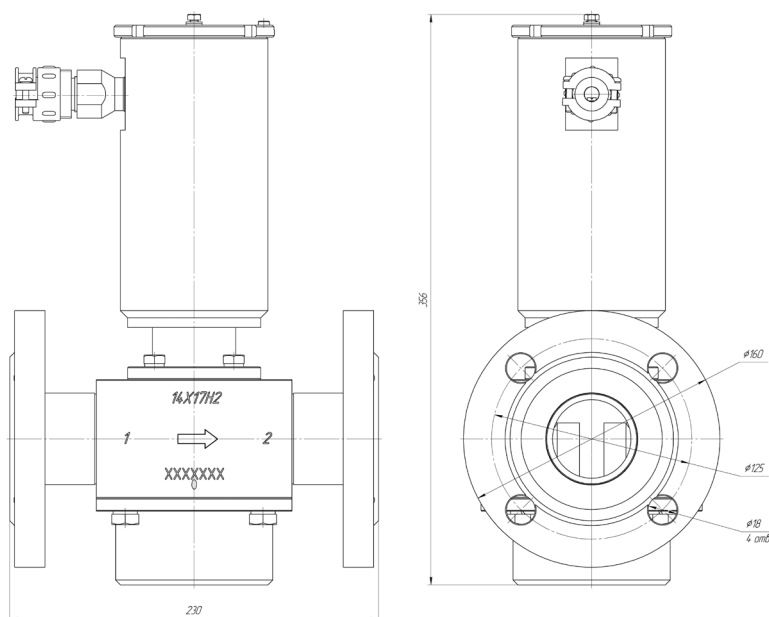
OPTIONAL MODULES:

Valve Position Indicator (VPI)

APPLICATION:

air, nitrogen, carbon dioxide gas, natural gas, inert gas, gaseous hydrocarbons (propane, butane, mix)

KЭO 50/10/070/136 с ЭВ 06/AC/230/2



SPECIFICATION:

Mode of action	direct action valve
Diameter (DN), mm	50
Operating pressure range, Bar	0 ... 10
Pressure difference for valve performance, Bar	0 ... 10
Type of pipeline's joint with valve	flange
Normal position valve	Normally Open
Ambient temperature, °C	-40 ... +50
Fluid temperature, °C	-40 ... +100
Coil voltage, V	230+/-10% AC
Capacity, W:	
- power boost mode	200
- hold mode	20
Duty rating, %	100
Size, mm	230 x 160 x 356
Mass, kg	23,0

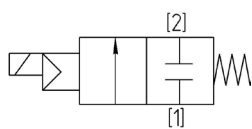
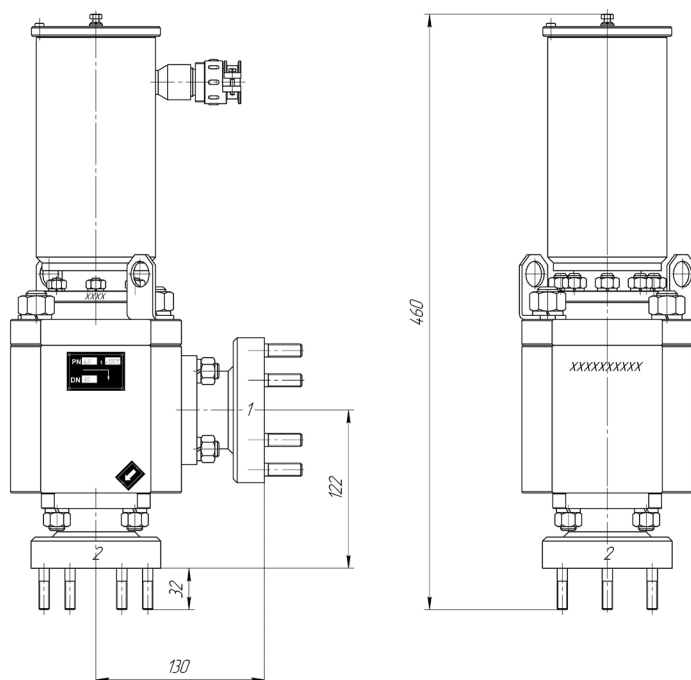
OPTIONAL MODULES:

Valve Position Indicator (VPI)

APPLICATION:

air, nitrogen, carbon dioxide gas, natural gas, inert gas, gaseous hydrocarbons (propane, butane, mix)

KЭO 50/40/072/235 с ЭВ 06/DC/024/2



SPECIFICATION:

Mode of action	direct action valve with downloadable spool piece
Diameter (DN), mm	50
Pressure, Bar	40
Pressure difference for valve performance, Bar	0 ... 40
Type of pipeline's joint with valve	flange
Normal position valve	Normally Closed
Ambient temperature, °C	-60 ... +80
Fluid temperature, °C	-40 ... +100
Coil voltage, V	24 (-10%+20%) DC
Capacity, W:	
- power boost mode	100
- hold mode	30
Duty rating, %	100
Size, mm	460 x 229 x 140
Mass, kg	28,0

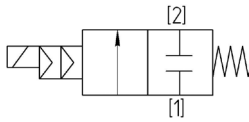
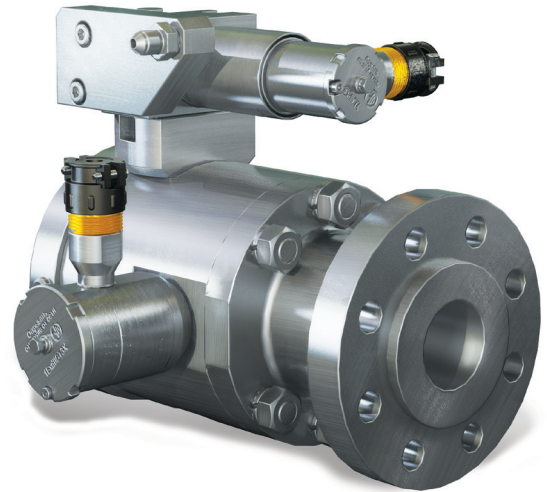
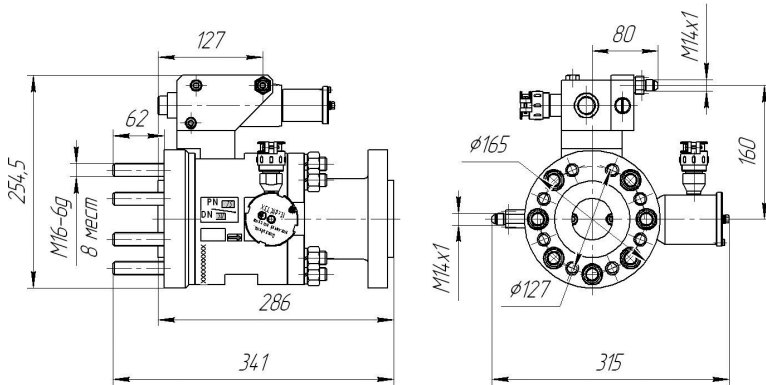
OPTIONAL MODULES:

Valve Position Indicator (VPI)

APPLICATION:

air, nitrogen, carbon dioxide gas, natural gas, inert gas, gaseous hydrocarbons (propane, butane, mix)

KЭO 50/75/072/133 с ЭВ 05/DC/024/3



SPECIFICATION:	
Mode of action	valve with amplifier
Diameter (DN), mm	50
Operating pressure range, Bar	0 ... 75
Pressure difference for valve performance, Bar	6 ... 75
Type of pipeline's joint with valve	2" ANSI B16,5
Normal position valve	Normally Closed
Ambient temperature, °C	-40 ... +60
Fluid temperature, °C	-40 ... +100
Coil voltage, V	24+-10% DC
Capacity, W	20
Duty rating, %	100
Size, mm	341 x 254,5 x 315
Mass, kg	32,0

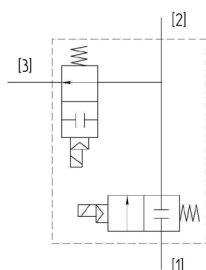
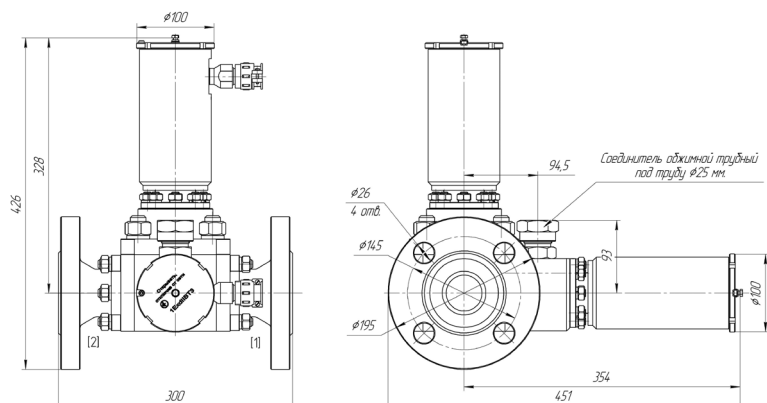
OPTIONAL MODULES:

Valve Position Indicator (VPI)

APPLICATION:

air, nitrogen, carbon dioxide gas, hydrogen, natural gas, inert gas, gaseous hydrocarbons (propane, butane, mix)

КЭО 50/75/072/435 с ЭВ 06/DC/024/2



SPECIFICATION:	
Mode of action	direct action valve with downloadable spool piece
Diameter (DN), mm	50
Operating pressure range, Bar	0 ... 75
Pressure difference for valve performance, Bar	0 ... 75
Type of pipeline's joint with valve	flange
Normal position valve	Normally Closed
Ambient temperature, °C	-60 ... +70
Fluid temperature, °C	+40 ... +100
Coil voltage, V	24+-10% DC
Capacity, W:	
- power boost mode	150
- hold mode	12
Duty rating, %	100
Size, mm	300 x 426 x 451
Mass, kg	50,0

OPTIONAL MODULES:

Valve Position Indicator (VPI)

APPLICATION:

air, nitrogen, carbon dioxide gas, natural gas, inert gas, gaseous hydrocarbons (propane, butane, mix)

КЭО 50/16/074/136/4 с ЭВ 06/DC/024/2

SPECIFICATION:

Mode of action	direct action valve with downloadable spool piece
Diameter (DN), mm	50
Operating pressure range, Bar	0 ... 16
Pressure difference for valve performance, Bar	0 ... 16
Type of pipeline's joint with valve	flange
Normal position valve	Normally Open
Ambient temperature, °C	
Fluid temperature, °C	
Coil voltage, V	
Capacity, W:	
- power boost mode	
- hold mode	
Duty rating, %	100
Size, mm	
Mass, kg	

OPTIONAL MODULES:

reserve manual actuator
Valve Position Indicator (VPI)

APPLICATION:

air, nitrogen, carbon dioxide gas, natural gas, inert gas, gaseous hydrocarbons (propane, butane, mix)

POSSIBLE CHANGES:

КЭО 50/16/074/136/4 с ЭВ 06/AC/230/2 with coil voltage 230AC

КЭО 80/16/074/135/4 с ЭВ 06/DC/024/2

SPECIFICATION:

Mode of action	direct action valve with downloadable spool piece
Diameter (DN), mm	80
Operating pressure range, Bar	0 ... 16
Pressure difference for valve performance, Bar	0 ... 16
Type of pipeline's joint with valve	flange
Normal position valve	Normally Closed
Ambient temperature, °C	
Fluid temperature, °C	
Coil voltage, V	
Capacity, W:	
- power boost mode	
- hold mode	
Duty rating, %	100
Size, mm	
Mass, kg	

OPTIONAL MODULES:

reserve manual actuator
Valve Position Indicator (VPI)

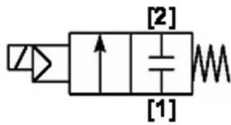
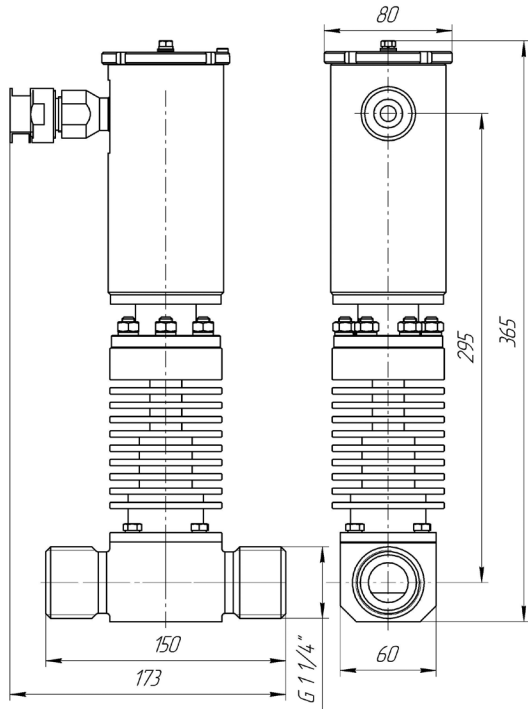
APPLICATION:

air, nitrogen, carbon dioxide gas, natural gas, inert gas, gaseous hydrocarbons (propane, butane, mix)

POSSIBLE CHANGES:

КЭО 80/16/074/135/4 с ЭВ 06/AC/230/2 with coil voltage 230AC

KЭО 25/10/082/125 с ЭВ 07/DC/024/1



SPECIFICATION:

Mode of action	direct action valve with downloadable spool piece
Diameter (DN), mm	25
Operating pressure range, Bar	0 ... 10
Pressure difference for valve performance, Bar	0 ... 10
Type of pipeline's joint with valve	outlet (female thread)
Normal position valve	Normally Closed
Ambient temperature, °C	-20 ... +60
Fluid temperature, °C	-20 ... +270
Coil voltage, V	24+-10% DC
Capacity, W:	
- power boost mode	200
- hold mode	25
Duty rating, %	100
Size, mm	150 x 70 x 340
Mass, kg	8,5

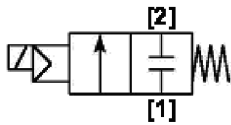
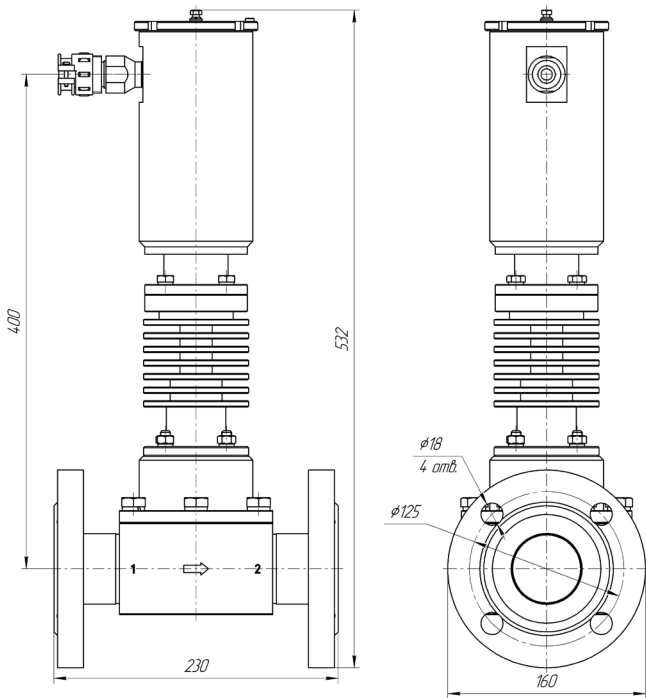
OPTIONAL MODULES:

Valve Position Indicator (VPI)

APPLICATION:

air, nitrogen, carbon dioxide gas, natural gas, inert gas, gaseous hydrocarbons (propane, butane, mix)

KЭO 50/10/082/135 с ЭВ 06/DC/024/1



SPECIFICATION:

Mode of action	direct action valve with downloadable spool piece
Diameter (DN), mm	50
Operating pressure range, Bar	0 ... 10
Pressure difference for valve performance, Bar	0 ... 10
Type of pipeline's joint with valve	flange
Normal position valve	Normally Closed
Ambient temperature, °C	-20 ... +60
Fluid temperature, °C	-20 ... +200
Coil voltage, V	24+-10% DC
Capacity, W:	
- power boost mode	250
- hold mode	30
Duty rating, %	100
Size, mm	230 x 160 x 532
Mass, kg	27,0

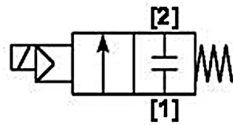
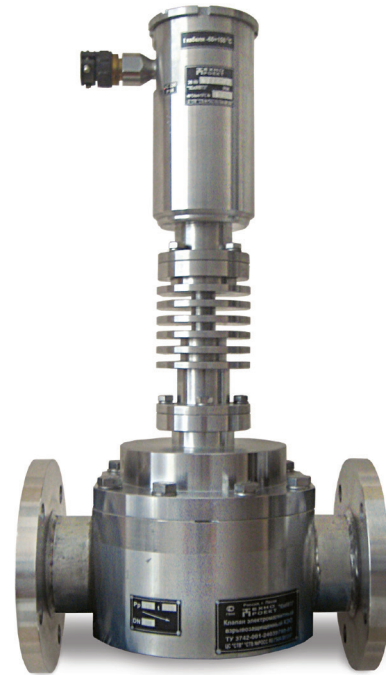
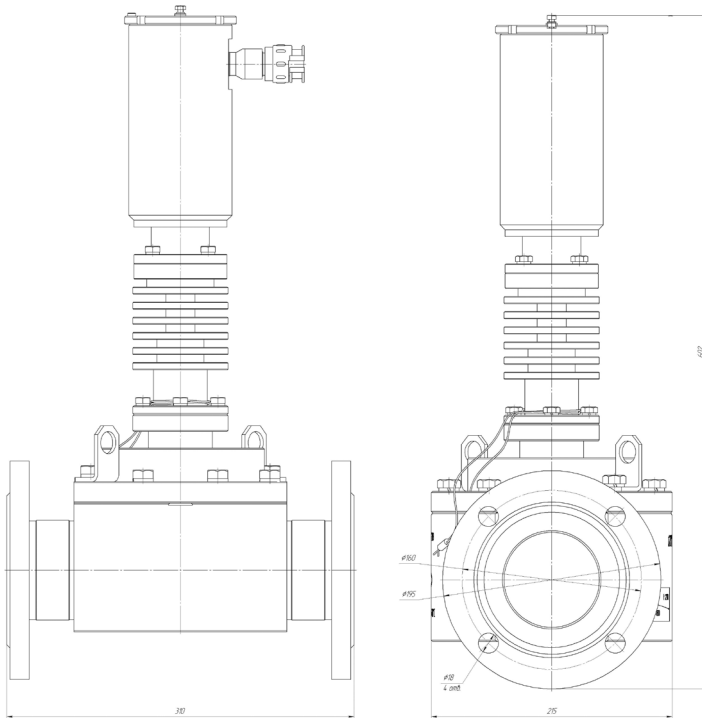
OPTIONAL MODULES:

Valve Position Indicator (VPI)

APPLICATION:

air, gaseous hydrocarbons

КЭО 80/10/080/135 с ЭВ 06/AC/230/1



SPECIFICATION:

Mode of action	direct action valve with downloadable spool piece
Diameter (DN), mm	80
Operating pressure range, Bar	0 ... 10
Pressure difference for valve performance, Bar	0 ... 10
Type of pipeline's joint with valve	flange
Normal position valve	Normally Closed
Ambient temperature, °C	-60 ... +70
Fluid temperature, °C	-20 ... +270
Coil voltage, V	230+/-10% AC
Capacity, W:	
- power boost mode	550
- hold mode	30
Duty rating, %	100
Size, mm	310 x 215 x 602
Mass, kg	50,0

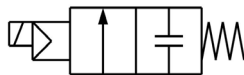
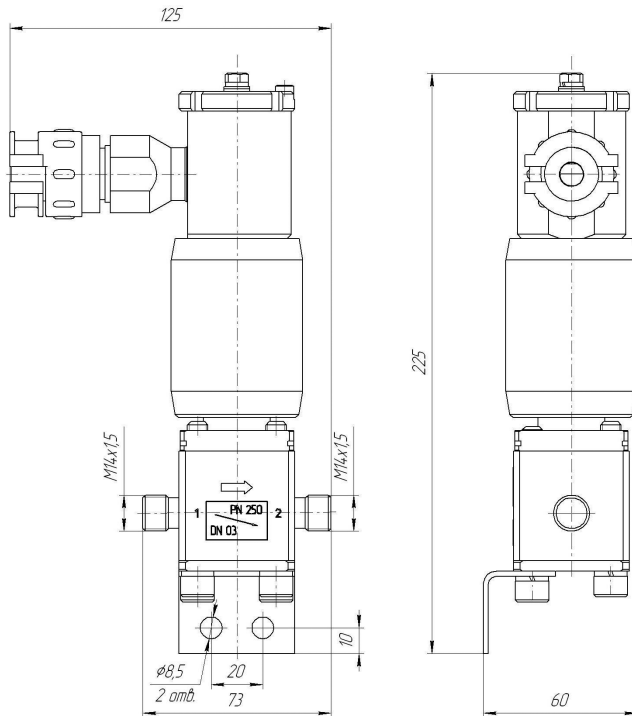
OPTIONAL MODULES:

Valve Position Indicator (VPI)

APPLICATION:

air, nitrogen, carbon dioxide gas, natural gas, inert gas, gaseous hydrocarbons (propane, butane, mix)

KЭO 03/250/050/123 с ЭВ 05/DC/024/3



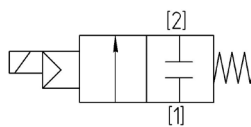
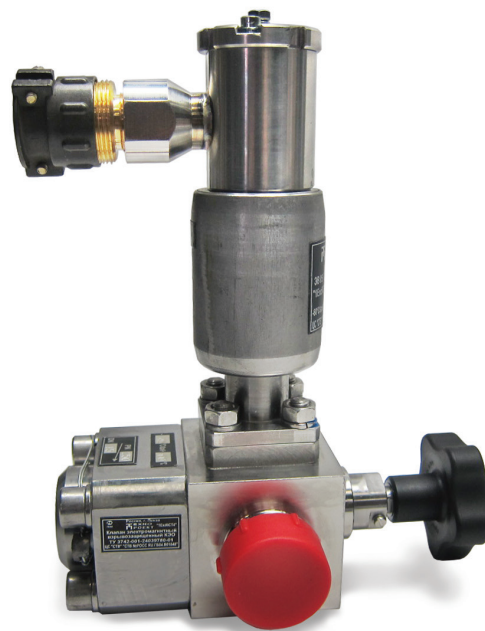
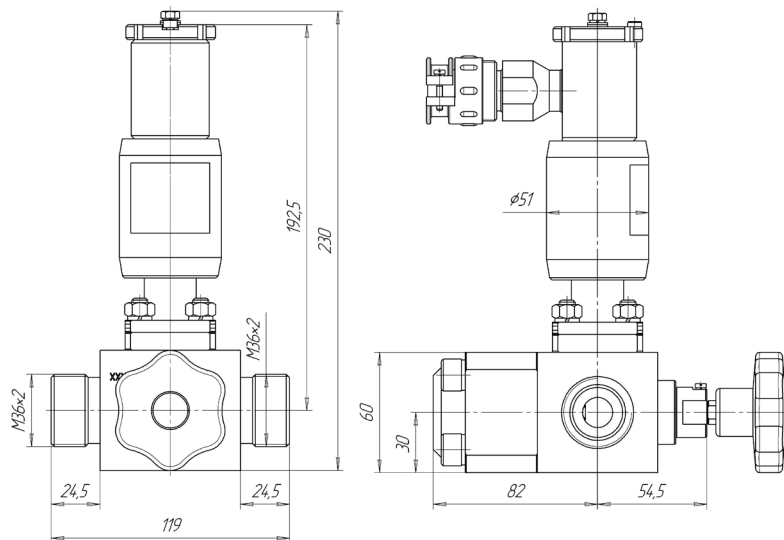
SPECIFICATION:

Mode of action	valve with amplifier
Diameter (DN), mm	3
Operating pressure range, Bar	3 ... 250
Pressure difference for valve performance, Bar	0,8 ... 250
Type of pipeline's joint with valve	outlet (female thread)
Normal position valve	Normally Closed
Ambient temperature, °C	-50 ... +60
Fluid temperature, °C	-40 ... +60 +1 ... +60*
Coil voltage, V	24+-10% DC
Capacity, W	25
Duty rating, %	100
Size, mm	73 x 125 x 225
Mass, kg	2,7

APPLICATION:

air, nitrogen, carbon dioxide gas, hydrogen, natural gas, inert gas, gaseous hydrocarbons (propane, butane, mix)
water*, diesel, mineral oil, synthetic oil, gasoline (petrol), spirit

KЭO 15/250/051/123 с ЭВ 05/AC/230/3



SPECIFICATION:

Mode of action	valve with amplifier
Diameter (DN), mm	15
Operating pressure range, Bar	3 ... 250
Pressure difference for valve performance, Bar	3 ... 250
Type of pipeline's joint with valve	outlet (female thread)
Normal position valve	Normally Closed
Ambient temperature, °C	-40 ... +60
Fluid temperature, °C	-50 ... +60
Coil voltage, V	230+-10% AC
Capacity, W	25
Duty rating, %	100
Size, mm	119 x 180 x 230
Mass, kg	5,8

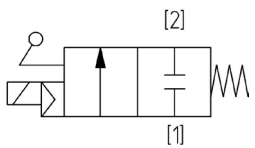
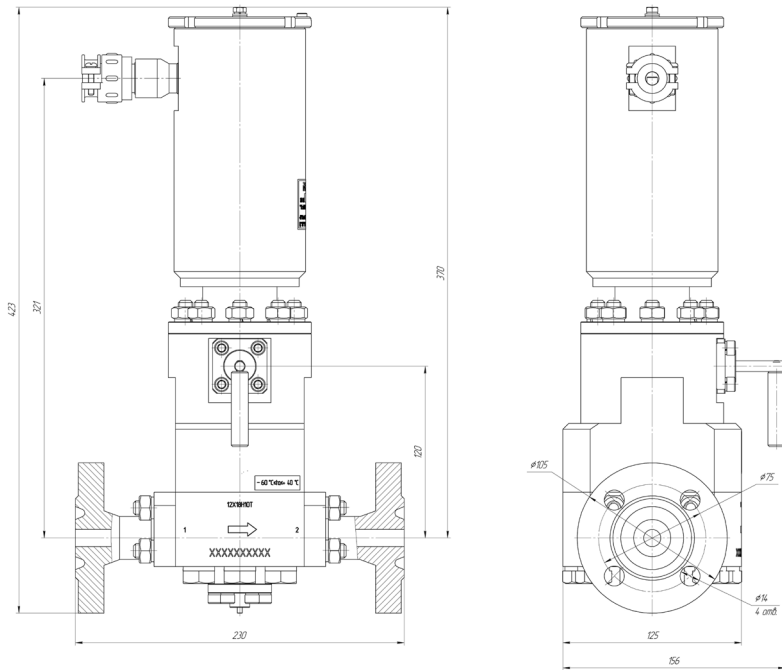
OPTIONAL MODULES:

reserve manual actuator

APPLICATION:

air, nitrogen, carbon dioxide gas, hydrogen, natural gas, inert gas, gaseous hydrocarbons (propane, butane, mix)

KЭO 15/100/174/135 с ЭВ 06/AC/230/2



SPECIFICATION:

Mode of action	direct action valve with downloadable spool piece
Diameter (DN), mm	15
Operating pressure range, Bar	0 ... 100
Pressure difference for valve performance, Bar	0 ... 100
Type of pipeline's joint with valve	flange
Normal position valve	Normally Closed
Ambient temperature, °C	-60 ... +40
Fluid temperature, °C	-30 ... +150
Coil voltage, V	230+-10% AC
Capacity, W:	
- power boost mode	400
- hold mode	13
Duty rating, %	100
Size, mm	230 x 155,5 x 423
Mass, kg	24,0

OPTIONAL MODULES:

reserve manual actuator
Valve Position Indicator (VPI)

APPLICATION:

natural gaseous hydrocarbons associated petroleum gas (APG)

КЭО 25/160/074/135/4 с ЭВ 12/AC/230/2

SPECIFICATION:

Mode of action	direct action valve with downloadable spool piece
Diameter (DN), mm	25
Operating pressure range, Bar	
Pressure difference for valve performance, Bar	
Type of pipeline's joint with valve	flange
Normal position valve	Normally Closed
Ambient temperature, °C	
Fluid temperature, °C	
Coil voltage, V	
Capacity, W:	
- power boost mode	
- hold mode	
Duty rating, %	100
Size, mm	
Mass, kg	

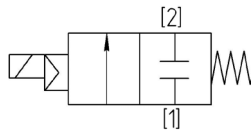
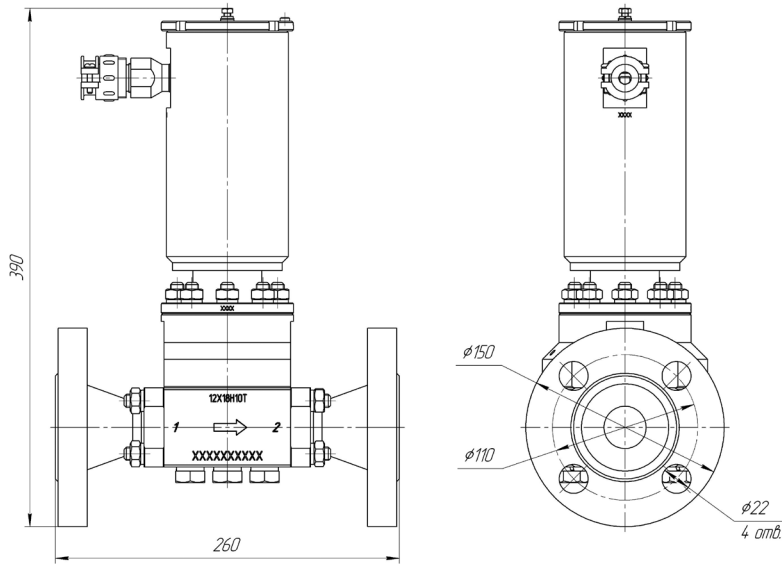
OPTIONAL MODULES:

reserve manual actuator
Valve Position Indicator (VPI)

APPLICATION:

natural gaseous hydrocarbons associated petroleum gas (APG)

KЭO 32/100/052/135 c ЭB 06/DC/024/2



SPECIFICATION:

Mode of action	direct action valve with downloadable spool piece
Diameter (DN), mm	32
Operating pressure range, Bar	0 ... 100
Pressure difference for valve performance, Bar	0 ... 100
Type of pipeline's joint with valve	flange
Normal position valve	Normally Closed
Ambient temperature, °C	+5 ... +45
Fluid temperature, °C	0 ... +60
Coil voltage, V	24 (-10+20%) DC
Capacity, W:	
- power boost mode	300
- hold mode	16
Duty rating, %	100
Size, mm	260 x 150 x 390
Mass, kg	25,0

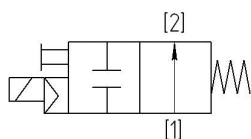
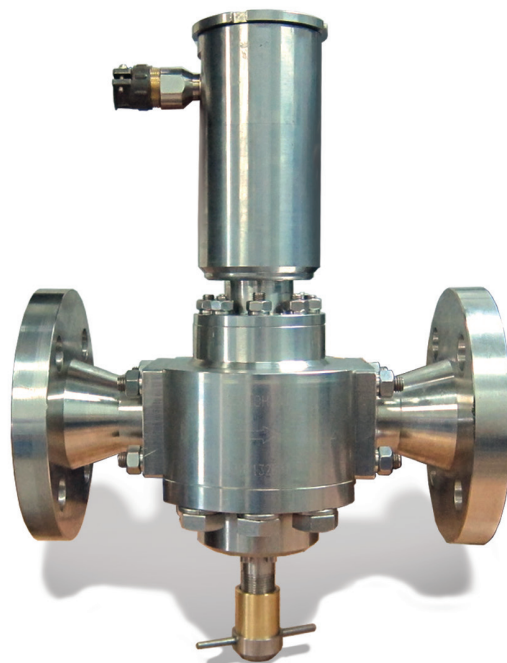
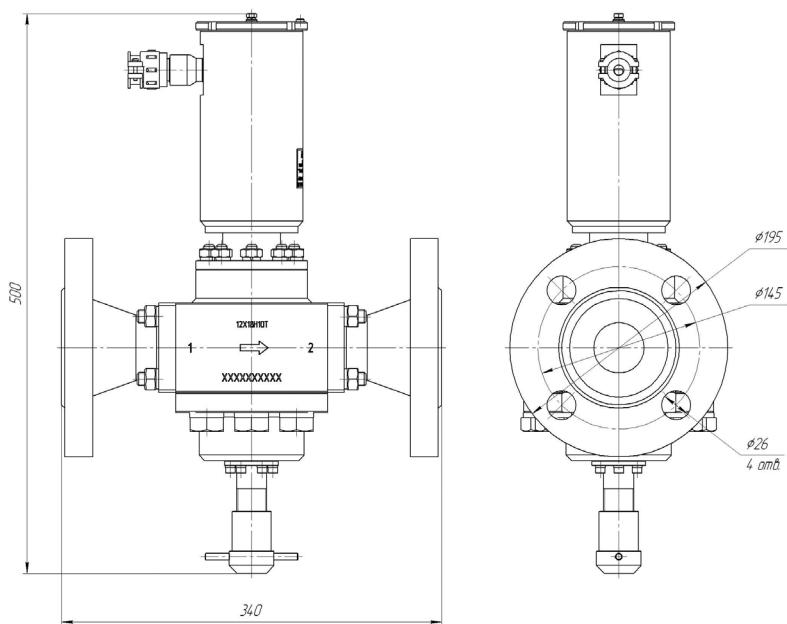
OPTIONAL MODULES:

Valve Position Indicator (VPI)

APPLICATION:

natural gaseous hydrocarbons associated petroleum gas (APG)

КЭО 50/100/054/136 с ЭВ 06/DC/024/2



SPECIFICATION:

Mode of action	direct action valve with downloadable spool piece
Diameter (DN), mm	50
Operating pressure range, Bar	0 ... 100
Pressure difference for valve performance, Bar	0 ... 100
Type of pipeline's joint with valve	flange
Normal position valve	Normally Open
Ambient temperature, °C	-60 ... +50
Fluid temperature, °C	-40 ... +60
Coil voltage, V	24+-10% DC
Capacity, W:	
- power boost mode	300
- hold mode	16
Duty rating, %	100
Size, mm	340 x 195 x 500
Mass, kg	41,0

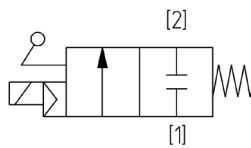
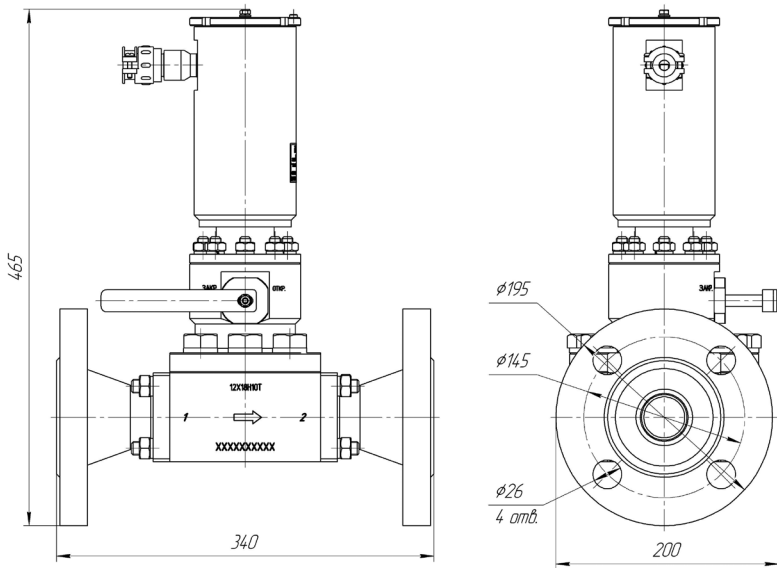
OPTIONAL MODULES:

reserve manual actuator
Valve Position Indicator (VPI)

APPLICATION:

air, nitrogen, carbon dioxide gas, natural gas, inert gas, gaseous hydrocarbons (propane, butane, mix)

KЭO 50/100/064/135 с ЭВ 06/DC/024/2



SPECIFICATION:

Mode of action	direct action valve with downloadable spool piece
Diameter (DN), mm	50
Operating pressure range, Bar	0 ... 100
Pressure difference for valve performance, Bar	0 ... 100
Type of pipeline's joint with valve	flange
Normal position valve	Normally Closed
Ambient temperature, °C	-40 ... +50
Fluid temperature, °C	-40 ... +50
Coil voltage, V	24+-10% DC
Capacity, W:	
- power boost mode	300
- hold mode	16
Duty rating, %	100
Size, mm	340 x 200 x 465
Mass, kg	41,0

OPTIONAL MODULES:

reserve manual actuator
Valve Position Indicator (VPI)

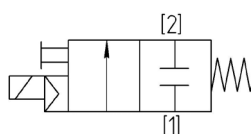
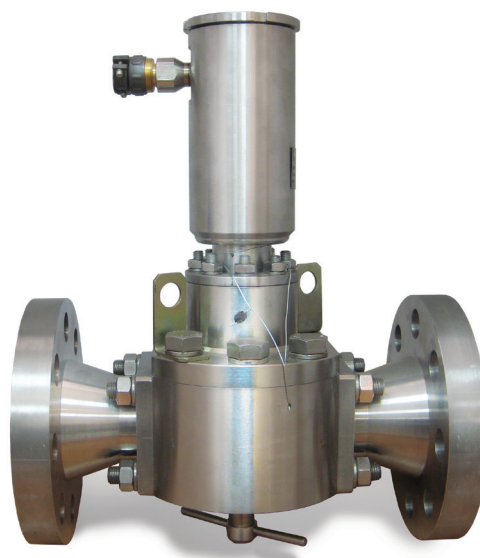
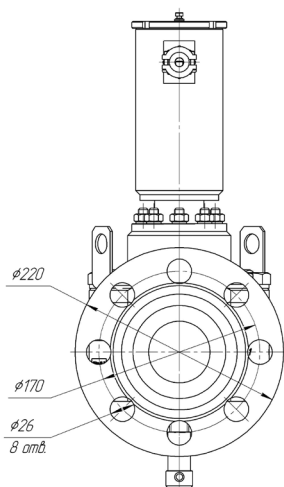
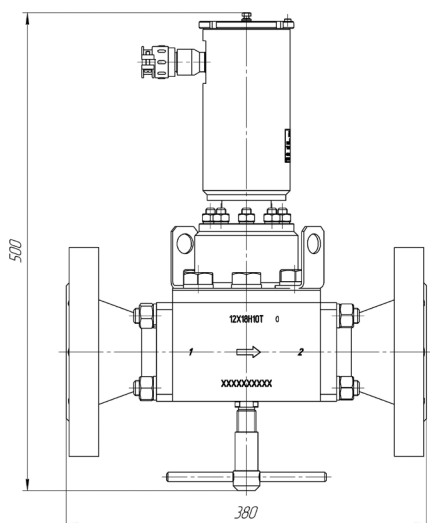
APPLICATION:

natural gaseous hydrocarbons associated petroleum gas (APG)

POSSIBLE CHANGES:

KЭO 50/100/064/135 с ЭВ 06/AC/230/2 with coil voltage 230AC

KЭO 65/100/071/135 c ЭB 06/AC/230/2



SPECIFICATION:

Mode of action	direct action valve with downloadable spool piece
Diameter (DN), mm	65
Operating pressure range, Bar	0 ... 100
Pressure difference for valve performance, Bar	0 ... 100
Type of pipeline's joint with valve	flange
Normal position valve	Normally Closed
Ambient temperature, °C	-60 ... +40
Fluid temperature, °C	-40 ... +100
Coil voltage, V	230+10% AC
Capacity, W:	
- power boost mode	400
- hold mode	30
Duty rating, %	100
Size, mm	380 x 220 x 500
Mass, kg	52,0

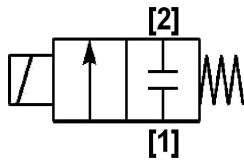
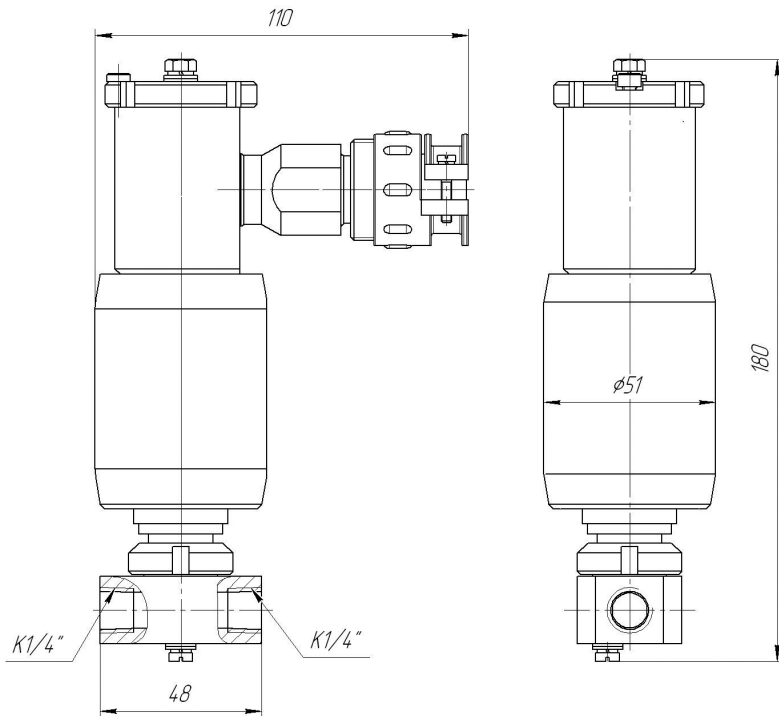
OPTIONAL MODULES:

reserve manual actuator

APPLICATION:

air, nitrogen, carbon dioxide gas, natural gas, inert gas, gaseous hydrocarbons (propane, butane, mix)

KЭO 03/16/760/111 с ЭВ 05/DC/024/4



SPECIFICATION:

Mode of action	direct action valve
Diameter (DN), mm	3
Operating pressure range, Bar	0 ... 16
Pressure difference for valve performance, Bar	0 ... 2
Type of pipeline's joint with valve	coupling (male thread) 1/4"
Normal position valve	Normally Closed
Ambient temperature, °C	-40 ... +45
Fluid temperature, °C	-40 ... +45
Coil voltage, V	24+-10% DC
Capacity, W	12
Duty rating, %	100
Size, mm	110 x 51 x 180
Mass, kg	1,5

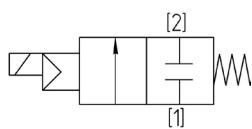
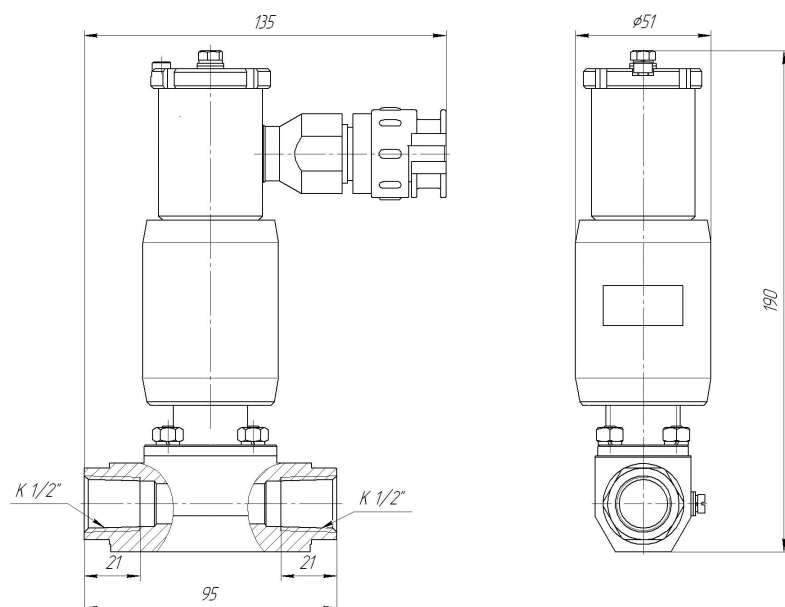
APPLICATION:

reactive (ethyl mercaptan)
air, nitrogen, carbon dioxide gas, hydrogen, natural gas, inert gas, gaseous hydrocarbons (propane, butane, mix)
water, diesel, mineral oil, synthetic oil
gasoline (petrol)
liquefied petroleum gas (LPG)
spirit

POSSIBLE CHANGES:

KЭO 03/16/760/111 с ЭВ 05/AC/230/4 with coil voltage 230AC
KЭO 03/16/760/112 с ЭВ 05/DC/024/4 with Normally Open position valve

KЭO 15/20/760/115 с ЭВ 05/DC/024/4



SPECIFICATION:

Mode of action	direct action valve with downloadable spool piece
Diameter (DN), mm	15
Operating pressure range, Bar	0 ... 20
Pressure difference for valve performance, Bar	10,0
Type of pipeline's joint with valve	coupling (male thread) 1/2"
Normal position valve	Normally Closed
Ambient temperature, °C	-40 ... +45
Fluid temperature, °C	-40 ... +45 +1* ... +45
Coil voltage, V	24+-10% DC
Capacity, W	18
Duty rating, %	100
Size, mm	135 x 51 x 190
Mass, kg	1,7

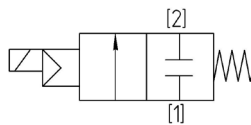
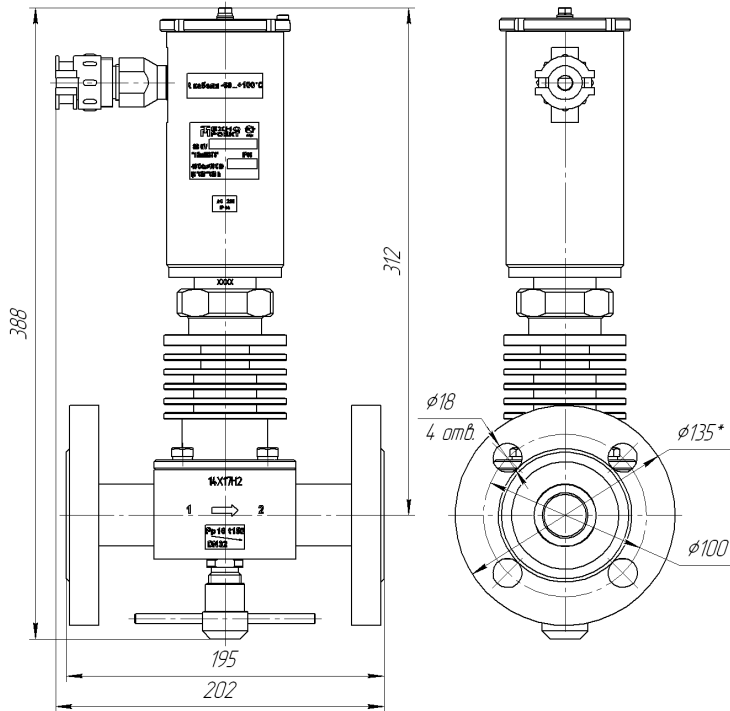
APPLICATION:

reactive (ethyl mercaptan)
air, nitrogen, carbon dioxide gas, hydrogen, natural gas, inert gas, gaseous hydrocarbons (propane, butane, mix)
water*, diesel, mineral oil, synthetic oil
gasoline (petrol)
spirit

POSSIBLE CHANGES:

KЭO 15/20/760/115 с ЭВ 05/AC/230/4 with coil voltage 230AC
--

КЭО 32/16/134/135 с ЭВ 07/DC/024/3



SPECIFICATION:

Mode of action	direct action valve with downloadable spool piece
Diameter (DN), mm	32
Operating pressure range, Bar	0 ... 16
Pressure difference for valve performance, Bar	0 ... 16
Type of pipeline's joint with valve	flange
Normal position valve	Normally Closed
Ambient temperature, °C	-50 ... +60
Fluid temperature, °C	-20 ... +150
Coil voltage, V	24 (-10+20%) DC
Capacity, W:	
- power boost mode	130
- hold mode	10
Duty rating, %	100
Size, mm	388 x 195 x 135
Mass, kg	12,5

OPTIONAL MODULES:

reserve manual actuator
Valve Position Indicator (VPI)

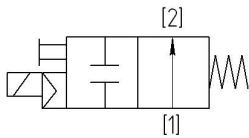
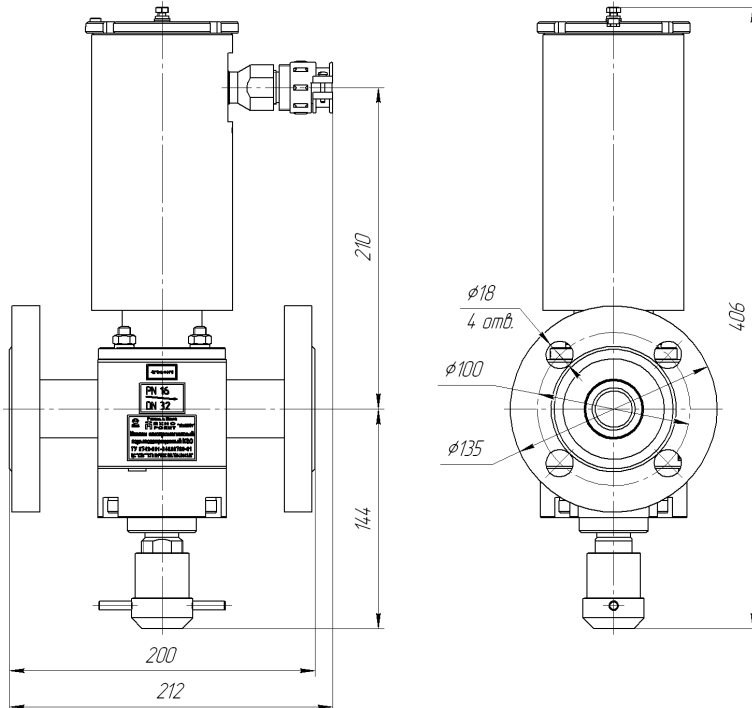
APPLICATION:

water, diesel, mineral oil, synthetic oil

POSSIBLE CHANGES:

КЭО 32/16/134/135 с ЭВ 07/AC/230/3 with coil voltage 230AC

KЭO 32/25/134/136 с ЭВ 06/DC/024/2



SPECIFICATION:

Mode of action	direct action valve with downloadable spool piece
Diameter (DN), mm	32
Operating pressure range, Bar	0 ... 25
Pressure difference for valve performance, Bar	0 ... 25
Type of pipeline's joint with valve	flange
Normal position valve	Normally Open
Ambient temperature, °C	-50 ... +60
Fluid temperature, °C	-20 ... +150
Coil voltage, V	24 (-10+20%) DC
Capacity, W:	
- power boost mode	200
- hold mode	25
Duty rating, %	100
Size, mm	212 x 135 x 406
Mass, kg	18,0

OPTIONAL MODULES:

reserve manual actuator
Valve Position Indicator (VPI)

APPLICATION:

water, diesel, mineral oil, synthetic oil

КЭО 50/10/124/135 с ЭВ 06/DC/024/2

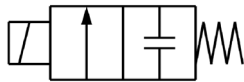
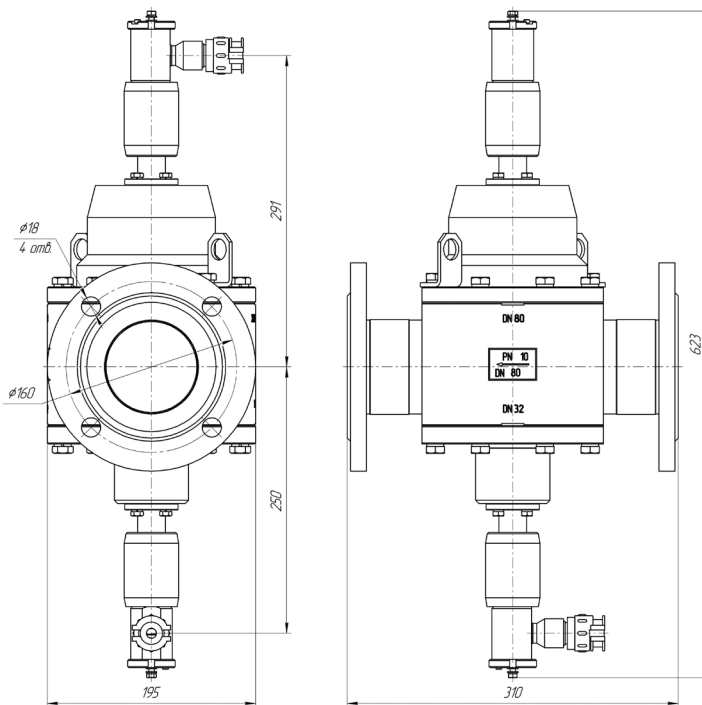
SPECIFICATION:

Mode of action	
Diameter (DN), mm	
Operating pressure range, Bar	
Pressure difference for valve performance, Bar	
Type of pipeline's joint with valve	
Normal position valve	
Ambient temperature, °C	
Fluid temperature, °C	
Voltage, V	
Capacity, W:	
- power boost mode	
- hold mode	
Duty rating, %	
Size, mm	
Mass, kg	

OPTIONAL MODULES:

APPLICATION:

КЭО 80/10/260/733 с ЭВ 05/AC/230/3



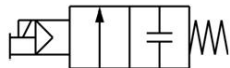
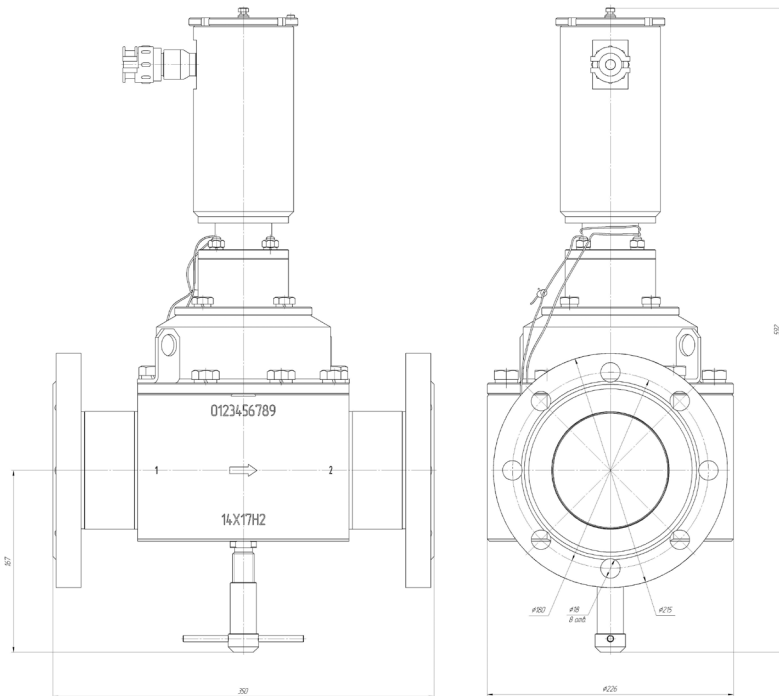
SPECIFICATION:

Mode of action	valve with amplifier
Diameter (DN), mm	80
Operating pressure range, Bar	0 ... 10
Pressure difference for valve performance, Bar	0,6 ... 10
Type of pipeline's joint with valve	flange
Normal position valve	Normally Closed
Ambient temperature, °C	-50 ... +45
Fluid temperature, °C	-40 ... +45
Coil voltage, V	230+-10% AC
Capacity, W	40
Duty rating, %	100
Size, mm	310 x 195 x 623
Mass, kg	40,0

APPLICATION:

gasoline (petrol), diesel, mineral oil

KЭO 100/16/264/135 c ЭB 06/AC/230/2



SPECIFICATION:

Mode of action	direct action valve
Diameter (DN), mm	100
Operating pressure range, Bar	0 ... 16
Pressure difference for valve performance, Bar	0 ... 16
Type of pipeline's joint with valve	flange
Normal position valve	Normally Closed
Ambient temperature, °C	-50 ... +60
Fluid temperature, °C	-40 ... +45
Coil voltage, V	230+-10% AC
Capacity, W:	
- power boost mode	350
- hold mode	31
Duty rating, %	100
Size, mm	350 x 226 x 592
Mass, kg	49,0

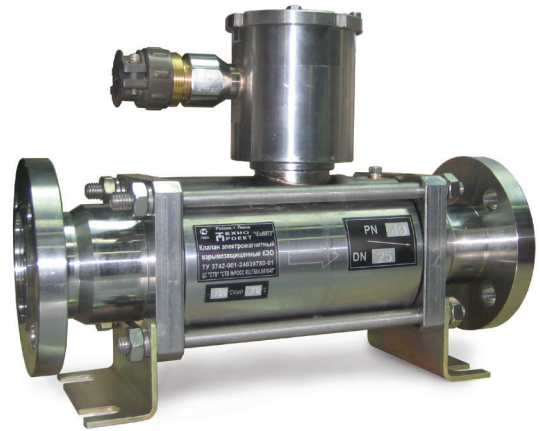
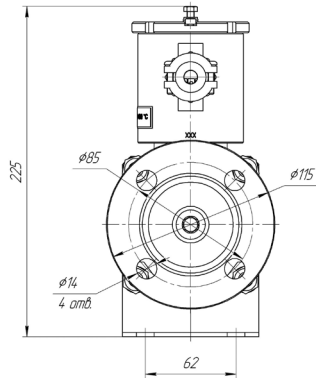
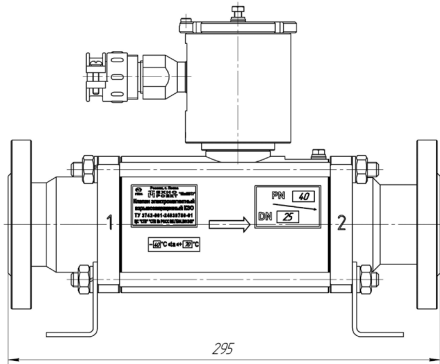
OPTIONAL MODULES:

reserve manual actuator
Valve Position Indicator (VPI)

APPLICATION:

gasoline (petrol)
air, nitrogen, carbon dioxide gas, natural gas,
inert gas, gaseous hydrocarbons (propane,
butane, mix)
water, diesel, mineral oil, synthetic oil

КЭО 25/40/338/131 с ЭВ 10/AC/230/1



SPECIFICATION:

Mode of action	direct action valve
Diameter (DN), mm	25
Operating pressure range, Bar	0 ... 40
Pressure difference for valve performance, Bar	0 ... 40
Type of pipeline's joint with valve	flange
Normal position valve	Normally Closed
Ambient temperature, °C	+20... +70
Fluid temperature, °C	+20... +150
Coil voltage, V	230+-10% AC
Capacity, W:	
- power boost mode	230
- hold mode	36
- heating mode	130
Duty rating, %	100
Size, mm	295 x 115 x 224
Mass, kg	15,0

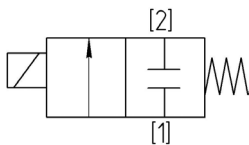
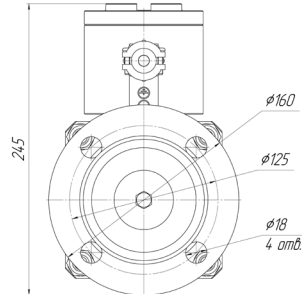
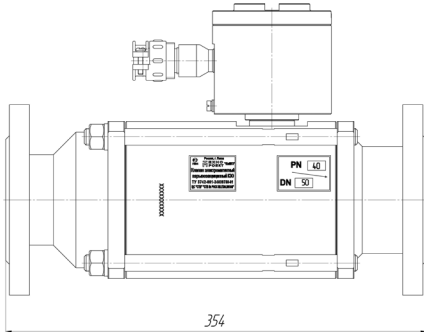
OPTIONAL MODULES:

heating coil

APPLICATION:

fuel oil

КЭО 50/40/338/131 с ЭВ 08/AC/230/1



SPECIFICATION:

Mode of action	direct action valve
Diameter (DN), mm	50
Operating pressure range, Bar	0 ... 40
Pressure difference for valve performance, Bar	0 ... 40
Type of pipeline's joint with valve	flange
Normal position valve	Normally Closed
Ambient temperature, °C	+5 ... +70
Fluid temperature, °C	+5 ... +150
Coil voltage, V	230+-10% AC
Capacity, W:	
- power boost mode	300
- hold mode	40
- heating mode	120
Duty rating, %	100
Size, mm	354 x 160 x 245
Mass, kg	27,3

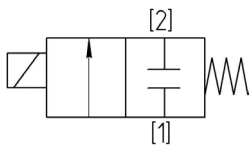
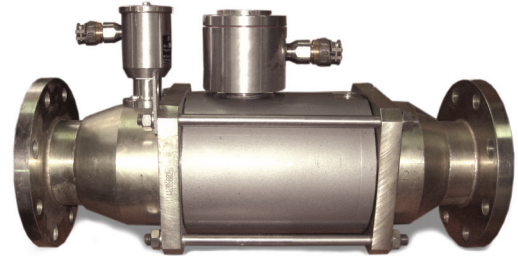
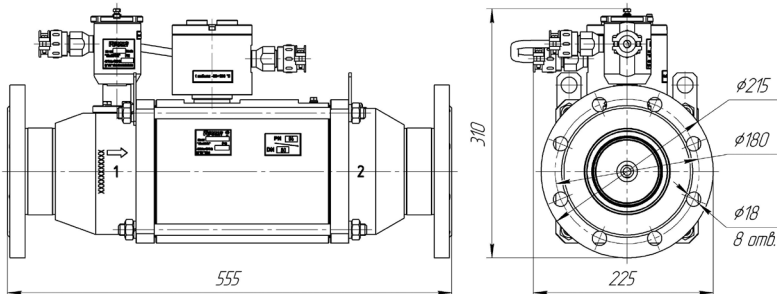
OPTIONAL MODULES:

heating coil

APPLICATION:

fuel oil

КЭО 80/06/328/131 с ЭВ 09/AC/230/2



SPECIFICATION:

Mode of action	direct action valve
Diameter (DN), mm	80
Operating pressure range, Bar	0 ... 6
Pressure difference for valve performance, Bar	0 ... 6
Type of pipeline's joint with valve	flange
Normal position valve	Normally Closed
Ambient temperature, °C	+40 ... +55
Fluid temperature, °C	+40 ... +70
Coil voltage, V	230+-10% AC
Capacity, W:	
- power boost mode	300
- hold mode	80
- heating mode	250
Duty rating, %	100
Size, mm	555 x 225 x 310
Mass, kg	60,0

OPTIONAL MODULES:

heating coil

APPLICATION:

fuel oil

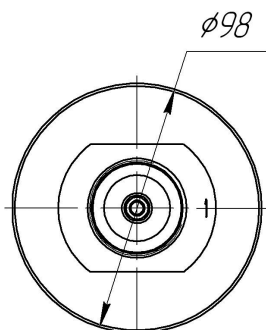
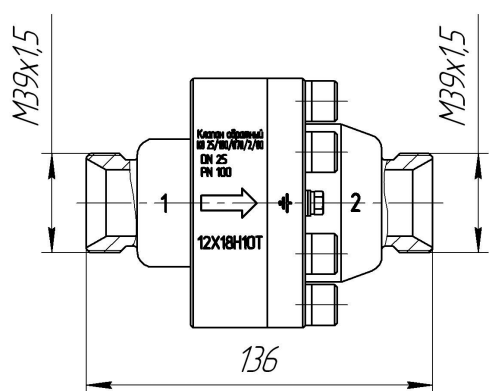
KO 15/250/00/2/00

SPECIFICATION:

Diameter (DN), mm	
Operating pressure range, Bar	
Pressure difference for valve performance, Bar	
Type of pipeline's joint with valve	
Ambient temperature, °C	
Fluid temperature, °C	
Size, mm	
Mass, kg	

APPLICATION:**POSSIBLE CHANGES:**

KO 25/100/00/2/00



SPECIFICATION:

Diameter (DN), mm	25
Operating pressure range, Bar	0 ... 100,0
Pressure difference for valve performance, Bar	0,3 ... 100,0
Type of pipeline's joint with valve	outlet (female thread)
Ambient temperature, °C	-60 ... +50
Fluid temperature, °C	+5 ... +80
Size, mm	136 x 98 x 98
Mass, kg	3,1

APPLICATION:

natural gas
 associated petroleum gas (APG)

POSSIBLE CHANGES:

KO 25/100/00/3/00 with flange type of pipeline's joint with valve

KO 32/250/00/5/00

SPECIFICATION:

Diameter (DN), mm	
Operating pressure range, Bar	
Pressure difference for valve performance, Bar	
Type of pipeline's joint with valve	
Ambient temperature, °C	
Fluid temperature, °C	
Size, mm	
Mass, kg	

APPLICATION:

POSSIBLE CHANGES:

KO 50/25/10/3/00

SPECIFICATION:

Diameter (DN), mm	
Operating pressure range, Bar	
Pressure difference for valve performance, Bar	
Type of pipeline's joint with valve	
Ambient temperature, °C	
Fluid temperature, °C	
Size, mm	
Mass, kg	

APPLICATION:

POSSIBLE CHANGES:

KO 65/25/10/3/00

SPECIFICATION:

Diameter (DN), mm	
Operating pressure range, Bar	
Pressure difference for valve performance, Bar	
Type of pipeline's joint with valve	
Ambient temperature, °C	
Fluid temperature, °C	
Size, mm	
Mass, kg	

APPLICATION:

POSSIBLE CHANGES:

ПРОК 25/40/40/00/3/00

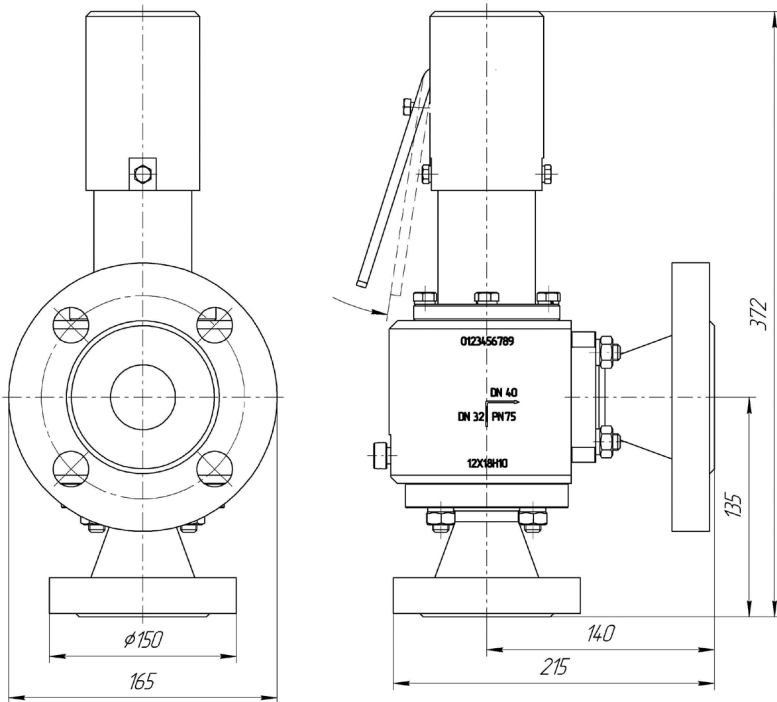
SPECIFICATION:

Diameter (upstream/downstream), mm	
Pressure, Bar	
Downstream pressure, Bar	
Set point pressure, Bar	
Relieving pressure, Bar	
Closing pressure, Bar	
Type of pipeline's joint with valve	
Ambient temperature, °C	
Fluid temperature, °C	
Size, mm	
Mass, kg	

APPLICATION:

--

ПРОК 32/75/25/00/3/00



SPECIFICATION:

Diameter (upstream/downstream), mm	32/40
Pressure, Bar	0 ... 75
Downstream pressure, Bar	0 ... 75
Set point pressure, Bar	25
Relieving pressure, Bar	29
Closing pressure, Bar	20
Type of pipeline's joint with valve	flange
Ambient temperature, °C	-40 ... +45
Fluid temperature, °C	-25 ... +35
Size, mm	215 x 165 x 372
Mass, kg	20,0

APPLICATION:

natural gas

ПРОК 50/10/1,7/00/3/00

SPECIFICATION:

Diameter (upstream/downstream), mm	
Pressure, Bar	
Downstream pressure, Bar	
Set point pressure, Bar	
Relieving pressure, Bar	
Closing pressure, Bar	
Type of pipeline's joint with valve	
Ambient temperature, °C	
Fluid temperature, °C	
Size, mm	
Mass, kg	

APPLICATION:

ПРОК 80/100/20/01/3/00

SPECIFICATION:

Diameter (upstream/downstream), mm	
Pressure, Bar	
Downstream pressure, Bar	
Set point pressure, Bar	
Relieving pressure, Bar	
Closing pressure, Bar	
Type of pipeline's joint with valve	
Ambient temperature, °C	
Fluid temperature, °C	
Size, mm	
Mass, kg	

APPLICATION:

РЕДУТ-Д 25/100/12/00/3/00

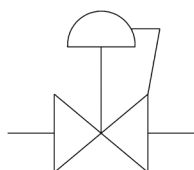
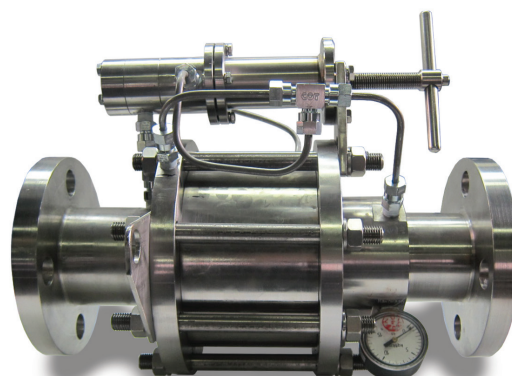
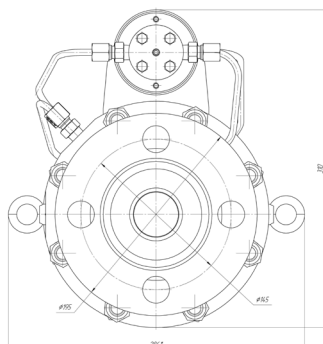
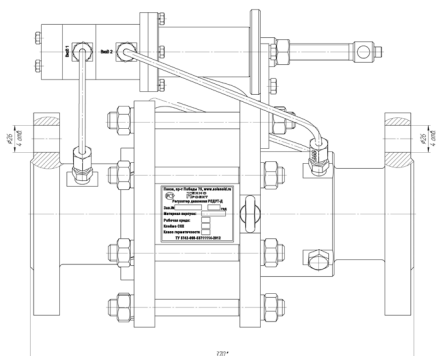
SPECIFICATION:

Type of regulator	Downstream pressure controller
Mode of action	
Diameter (DN), mm	
Pressure (PN), Bar	
Pressure difference for valve performance, Bar	
Downstream pressure, Bar	
Normal position valve	
Type of pipeline's joint with valve	
Type of reductor's actuator	
Type of amplifier's actuator	
Ambient temperature, °C	
Fluid temperature, °C	
Size, mm	
Mass, kg	

APPLICATION:

POSSIBLE CHANGES:

РЕДУТ-Д 50/75/27/00/3/00



SPECIFICATION:

Type of regulator	Downstream pressure controller
Mode of action	
Diameter (DN), mm	
Pressure (PN), Bar	
Pressure difference for valve performance, Bar	
Downstream pressure, Bar	
Normal position valve	
Type of pipeline's joint with valve	
Type of reductor's actuator	
Type of amplifier's actuator	
Ambient temperature, °C	
Fluid temperature, °C	
Size, mm	
Mass, kg	

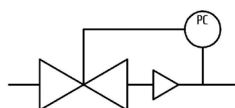
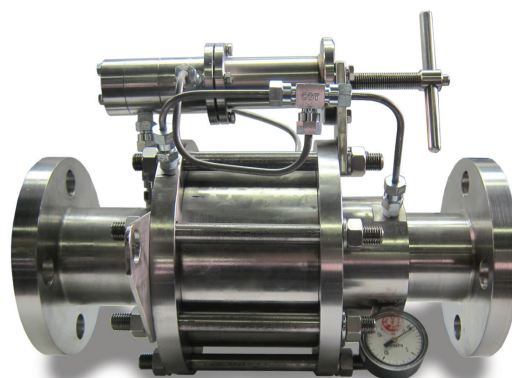
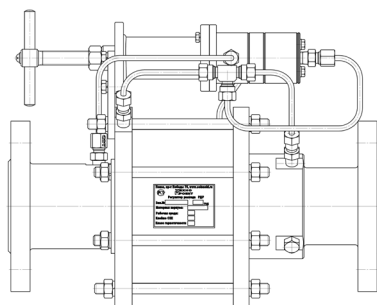
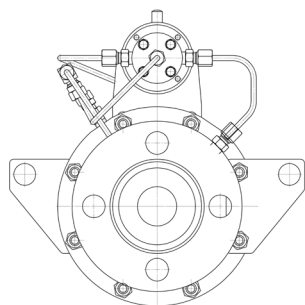
APPLICATION:

[Blank application area]

POSSIBLE CHANGES:

[Blank possible changes area]

РЕДУТ-Р 50/100/12/00/3/00



SPECIFICATION:

Type of regulator	Downstream pressure controller
Mode of action	
Diameter (DN), mm	
Pressure (PN), Bar	
Pressure difference for valve performance, Bar	
Downstream pressure, Bar	
Normal position valve	
Type of pipeline's joint with valve	
Type of reductor's actuator	
Type of amplifier's actuator	
Ambient temperature, °C	
Fluid temperature, °C	
Size, mm	
Mass, kg	

APPLICATION:

[Blank application area]

POSSIBLE CHANGES:

[Blank possible changes area]

РЕДУТ-ДР 50/100/12/00/3/00

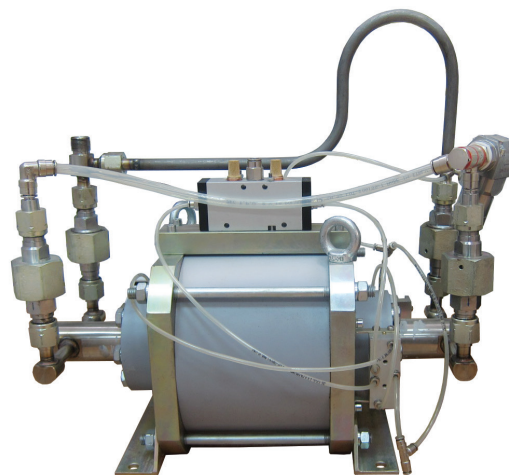
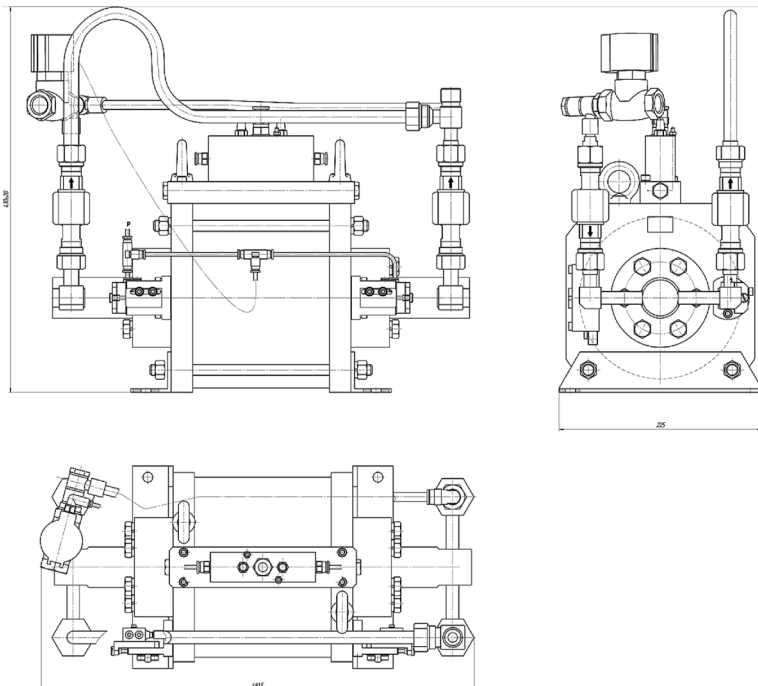
SPECIFICATION:

Type of regulator	Downstream pressure controller
Mode of action	
Diameter (DN), mm	
Pressure (PN), Bar	
Pressure difference for valve performance, Bar	
Downstream pressure, Bar	
Normal position valve	
Type of pipeline's joint with valve	
Type of reductor's actuator	
Type of amplifier's actuator	
Ambient temperature, °C	
Fluid temperature, °C	
Size, mm	
Mass, kg	

APPLICATION:

POSSIBLE CHANGES:

ПГМ



SPECIFICATION:

Type of regulator	Downstream pressure controller
Mode of action	
Diameter (DN), mm	
Pressure (PN), Bar	
Pressure difference for valve performance, Bar	
Downstream pressure, Bar	
Normal position valve	
Type of pipeline's joint with valve	
Type of reductor's actuator	
Type of amplifier's actuator	
Ambient temperature, °C	
Fluid temperature, °C	
Size, mm	
Mass, kg	

APPLICATION:

[Blank area for application details]

POSSIBLE CHANGES:

[Blank area for possible changes]